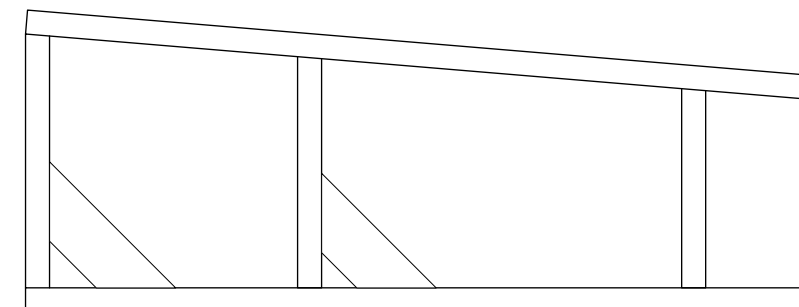
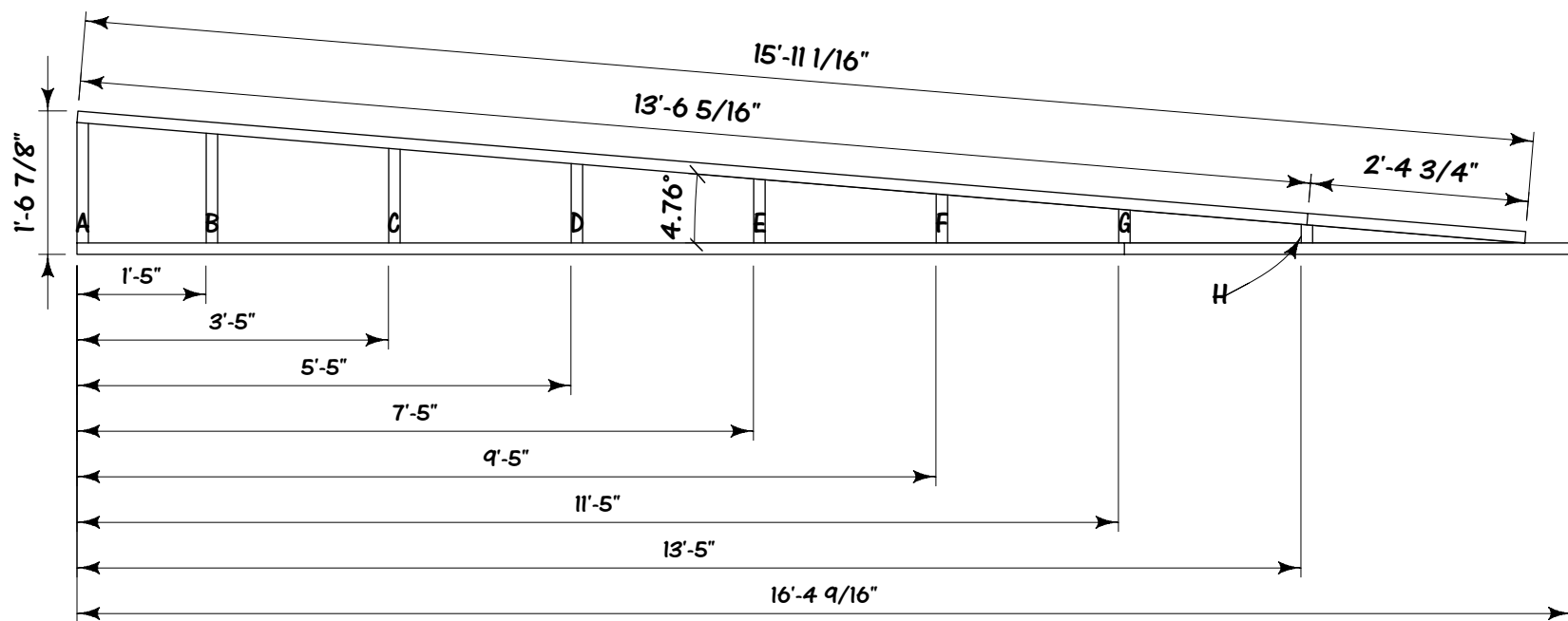


2 TOP VIEW
TD4 Scale: 1/2" = 1'-0"



3 GUSSET DETAIL
TD4 Scale: 1" = 1'-0"



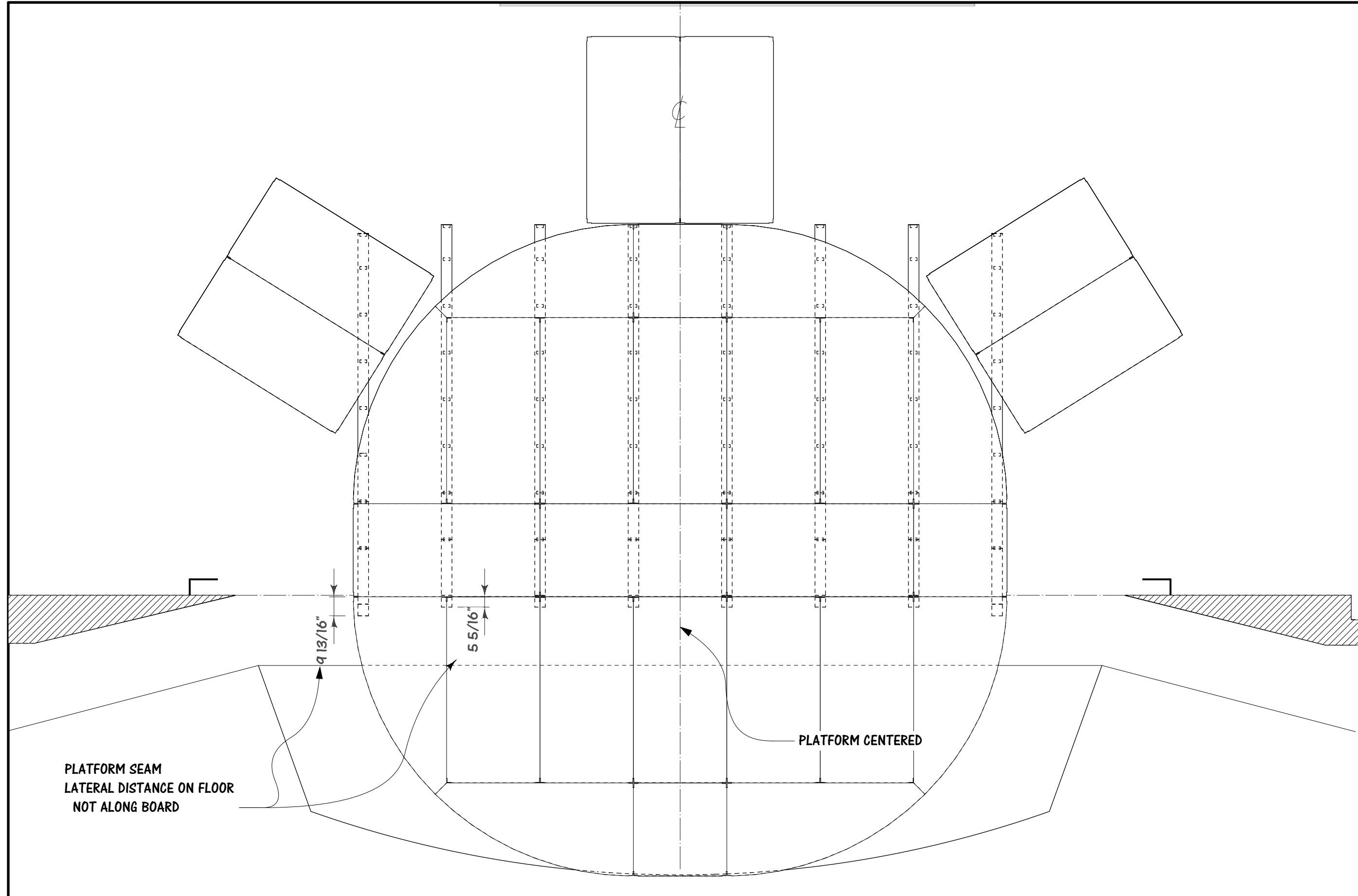
1 FRONT ELEVATION
TD4 Scale: 1/2" = 1'-0"

CUT LIST

Material	Length	# of Cuts	ANGLE
2X6			
TOP	13' 6 5/16"	8	NONE
BOTTOM	11' 5 3/4"	8	NONE
BOTTOM	4' 10 13/16"	8	NONE
TOP	2' 4 3/4"	8	NONE
2x4			
A	1' 3 7/8"	8	1 @ 4.76
B	1' 2 7/16"	8	1 @ 4.76
C	1' 0 7/16"	8	1 @ 4.76
D	10 7/16"	8	1 @ 4.76
E	8 7/16"	8	1 @ 4.76
F	6 7/16"	8	1 @ 4.76
G	4 7/16"	8	1 @ 4.76
H	2 7/16"	8	1 @ 4.76
3/4 PLY OR OSB			
	8" X 8"	24	

TARTUFFE
KNEE WALL CONSTRUCTION

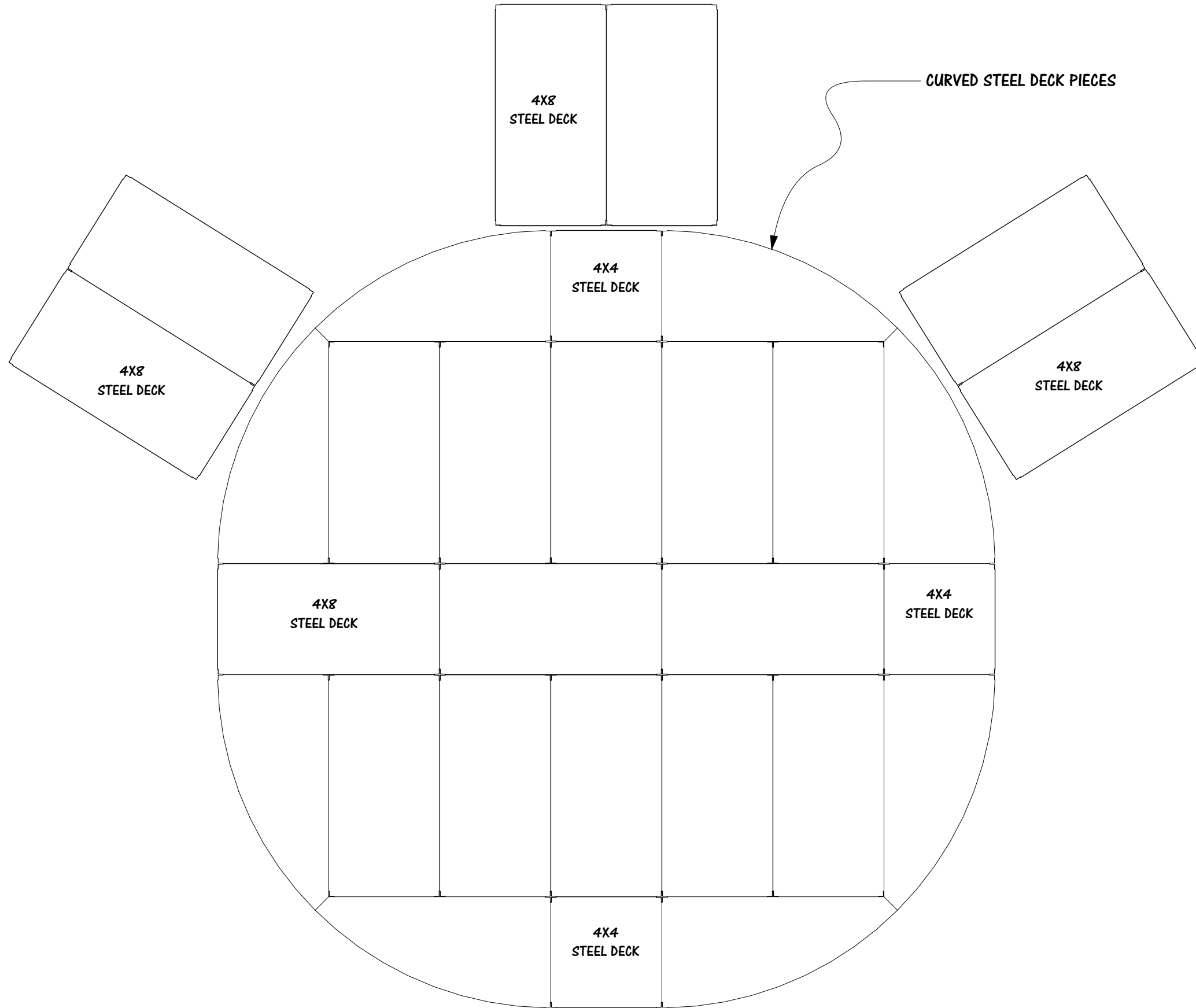
Plate #:
TD4
Designer:
RON NAVERSON
Director:
SUSAN P-BENSON
Technical Director:
TOM FAGERHOLM
Craftsman:
TOM FAGERHOLM
Date:
3/22/16
Scale:
1/2"=1'-0"



TARTUFFE
PLATFORM LAYOUT

Plate #:	TD6
Designer:	RON NAVERSON
Director:	SUSAN P-BENSON
Technical Director:	TOM FAGERHOLM
Draftsman:	TKF
Date:	3/31/16
Scale:	1/4"=1'-0"

NOTES:
ATTACH 2 BOLTS PER SIDE OF PLATFORM
FINGER TIGHT ONLY
LEGS ON PIT NEED TO BE LAGGED TO PIT



SIU
CARBONDALE

TARTUFFE
PLATFORM ASSEMBLY

Plate #:
TD7

Designer:
RON NAVERSON

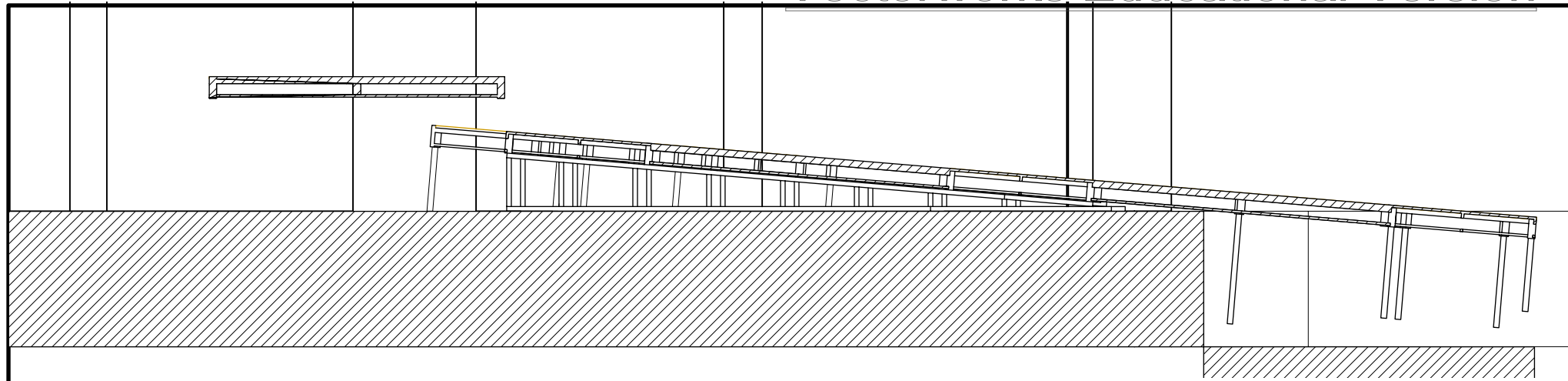
Director:
SUSAN P-BENSON

Technical Director:
TOM FAGERHOLM

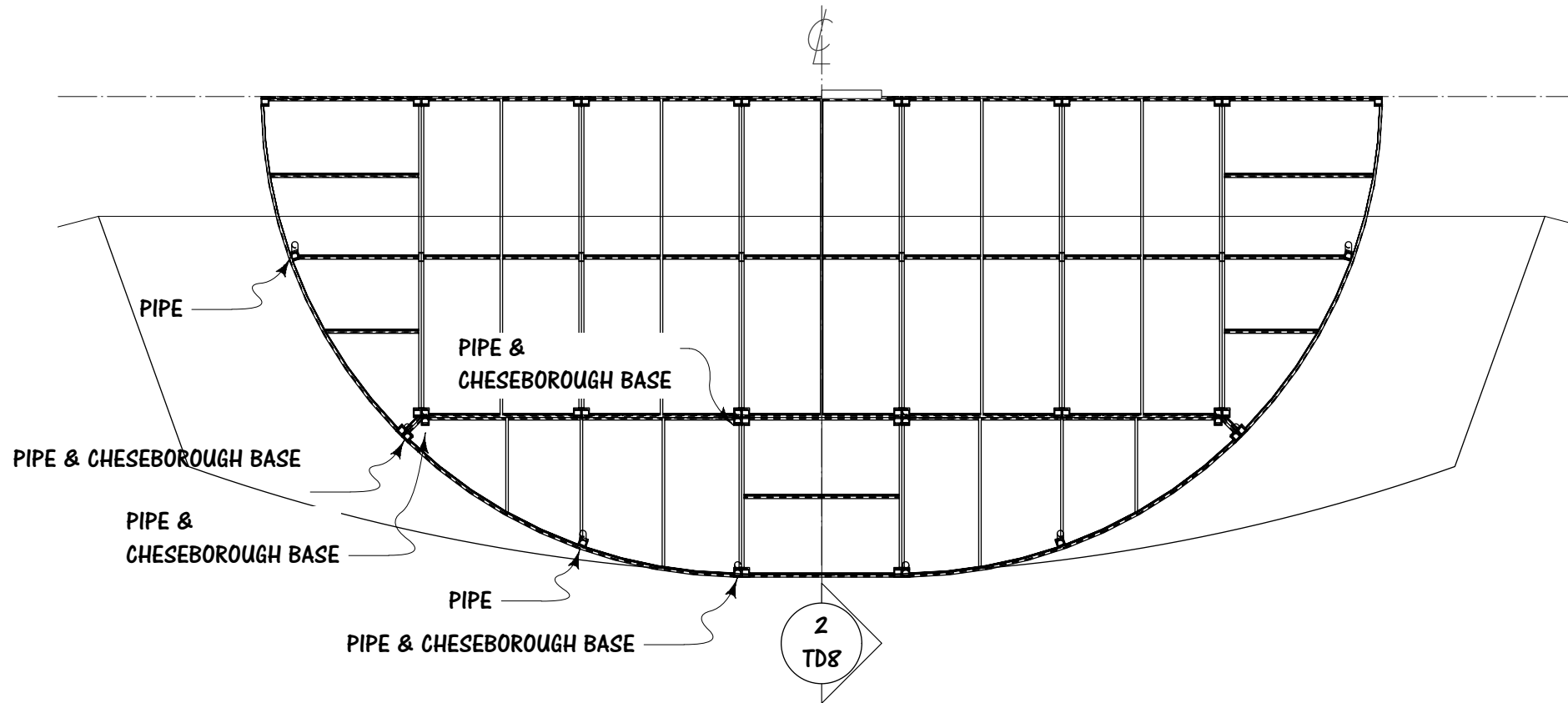
Craftsman:
DRAFTED BY

Date:
DATE

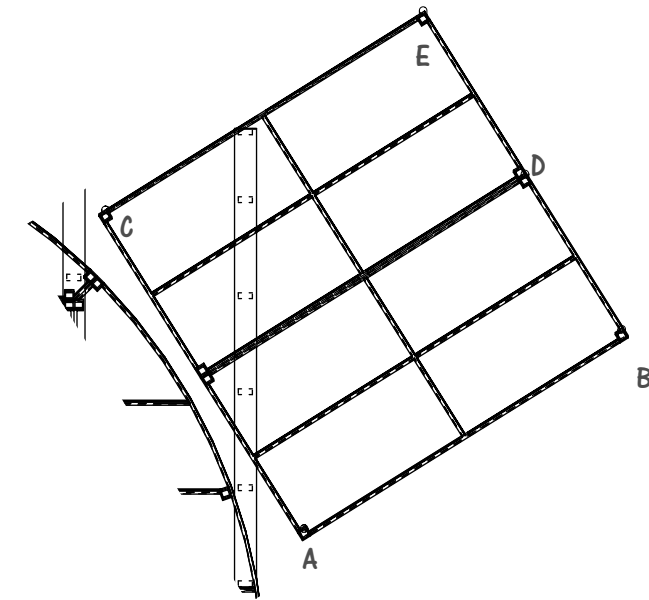
Scale:
SCALE



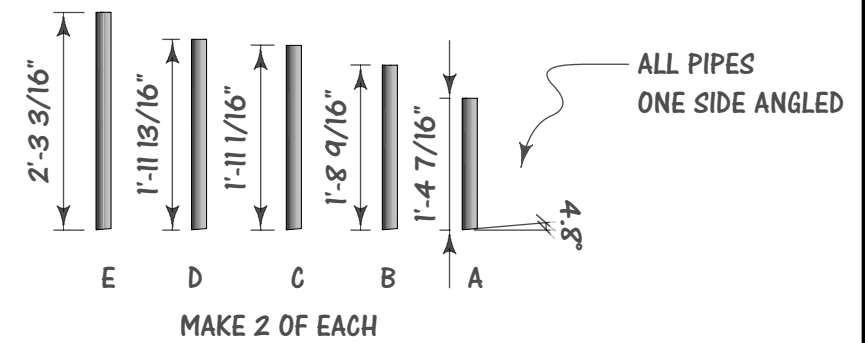
2 RAKED DECK SECTION
 TD8 Scale: 1/4" = 1'-0"



1 APRON PIPE LEG LAYOUT
 TD8 Scale: 1/4" = 1'-0"

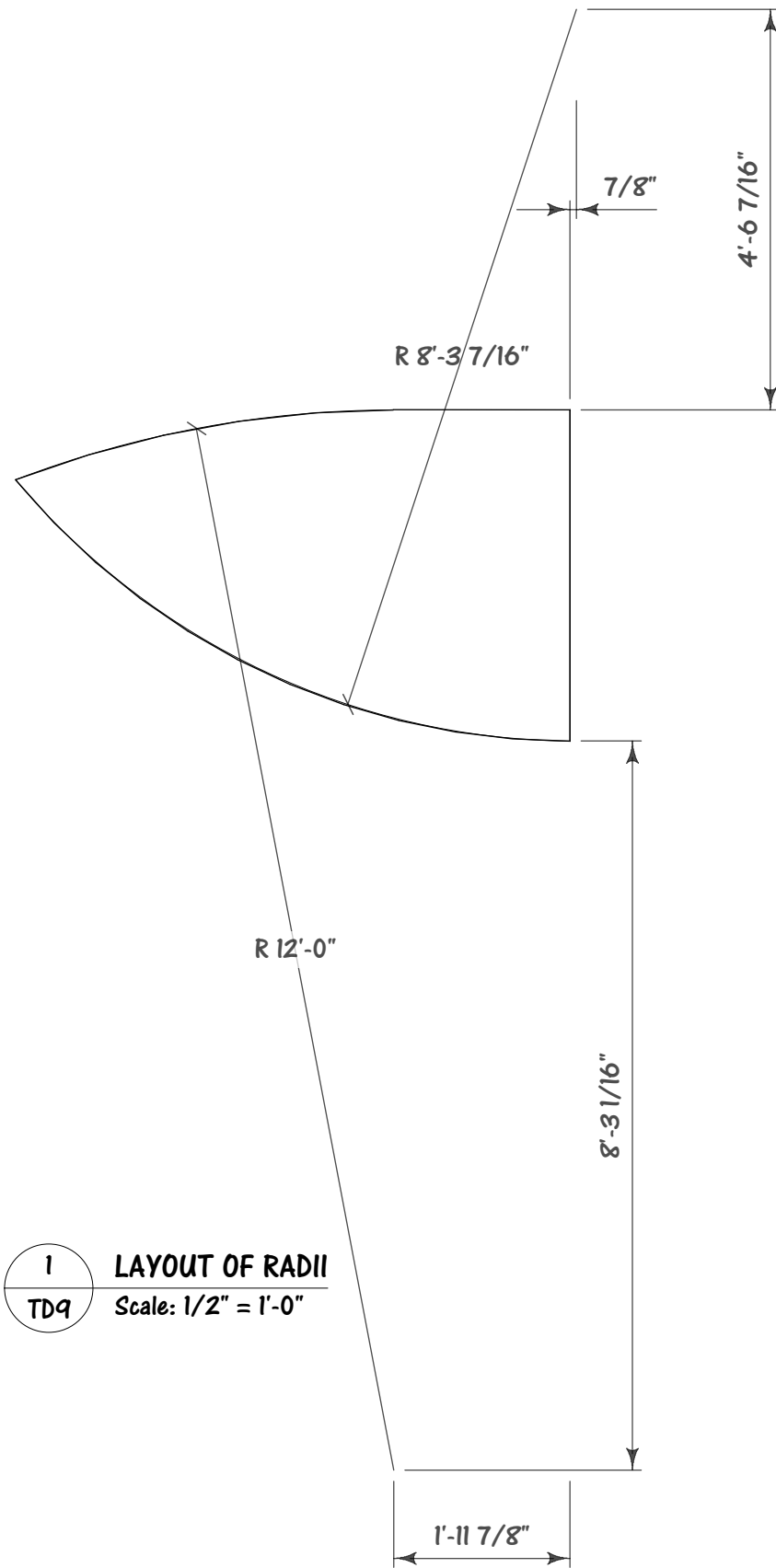


3 SL ESCAPE PIPE LEG LAYOUT
 TD8 Scale: 1/4" = 1'-0"

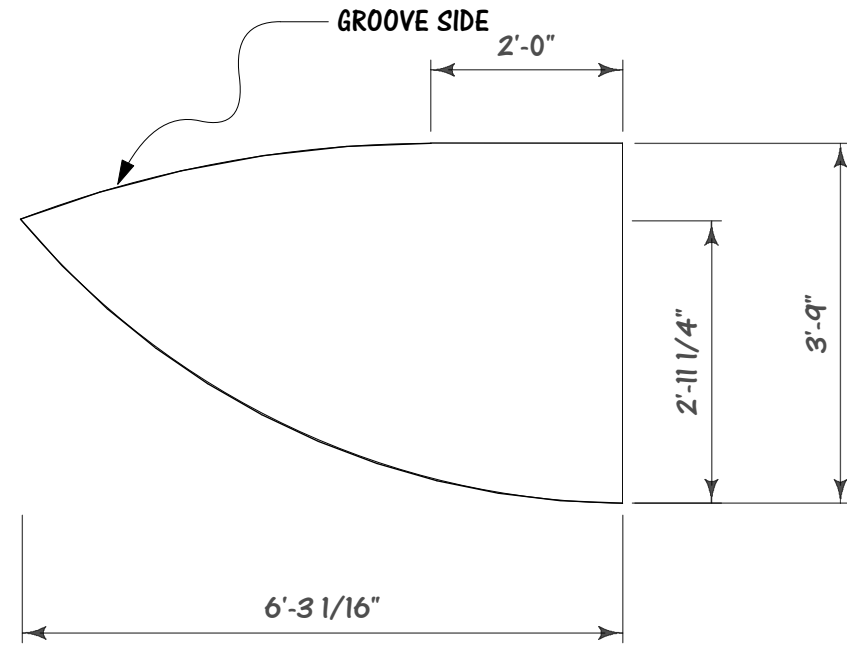


4 PIPE LEG CUTS
 TD8 Scale: 1/2" = 1'-0"

Plate #:	TD8
Designer:	RON NAVERSON
Director:	SUSAN P-BENSON
Technical Director:	TOM FAGERHOLM
Craftsman:	TOM FAGERHOLM
Date:	3/22/16
Scale:	1/4"=1'-0"



1 LAYOUT OF RADII
 TD9 Scale: 1/2" = 1'-0"



2 LAYOUT DIMENSIONS
 TD9 Scale: 1/2" = 1'-0"

TARTUFFE
 CURVED PLATFORM DECKING

Plate #: **TD9**

Designer: **RON NAVERSON**

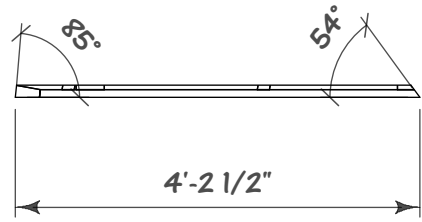
Director: **SUSAN P-BENSON**

Technical Director: **TOM FAGERHOLM**

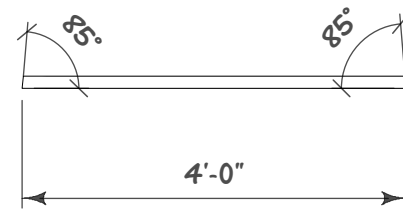
Draftsman: **TOM FAGERHOLM**

Date: **3/30/16**

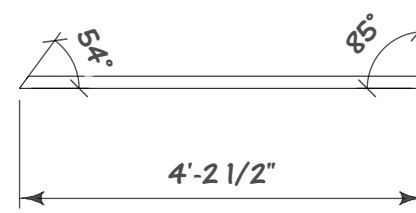
Scale: **1/2"=1'-0"**



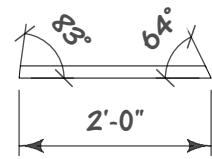
1 PLATFORM FRAMING A
 TD10 Scale: 1/2" = 1'-0"



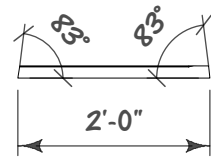
2 PLATFORM FRAMING B
 TD10 Scale: 1/2" = 1'-0"



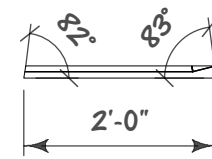
3 PLATFORM FRAMING C
 TD10 Scale: 1/2" = 1'-0"



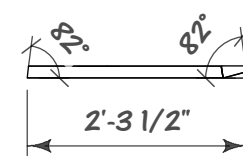
4 PLATFORM FRAMING D
 TD10 Scale: 1/2" = 1'-0"



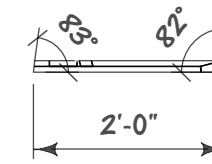
5 PLATFORM FRAMING E
 TD10 Scale: 1/2" = 1'-0"



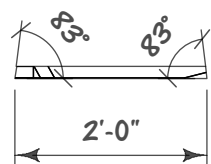
6 PLATFORM FRAMING F
 TD10 Scale: 1/2" = 1'-0"



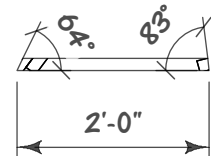
7 PLATFORM FRAMING G
 TD10 Scale: 1/2" = 1'-0"



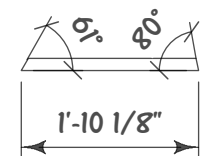
8 PLATFORM FRAMING H
 TD10 Scale: 1/2" = 1'-0"



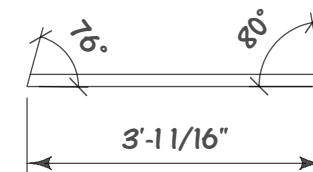
9 PLATFORM FRAMING J
 TD10 Scale: 1/2" = 1'-0"



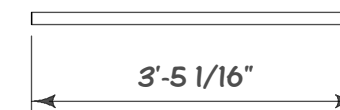
10 PLATFORM FRAMING K
 TD10 Scale: 1/2" = 1'-0"



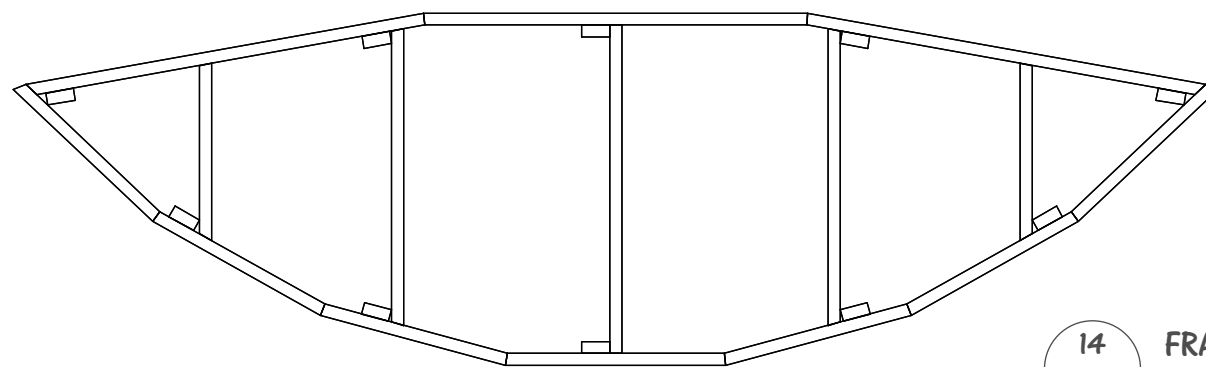
11 PLATFORM TOGGLE L
 TD10 Scale: 1/2" = 1'-0"
 MAKE 2



12 PLATFORM TOGGLE M
 TD10 Scale: 1/2" = 1'-0"
 MAKE 2

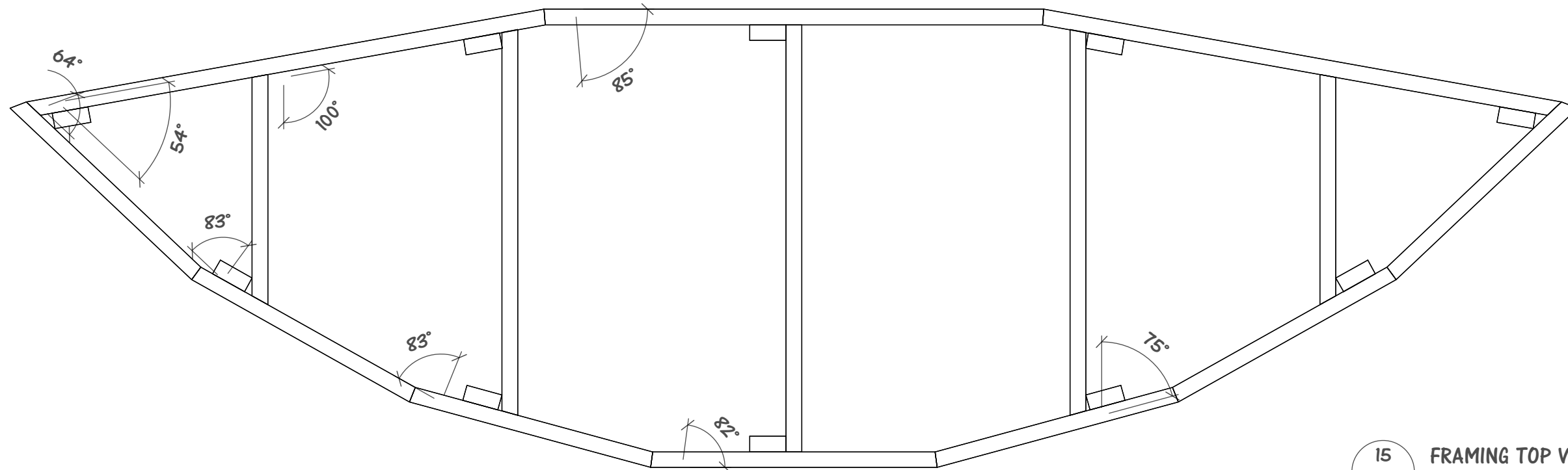


13 PLATFORM CENTER TOGGLE
 TD10 Scale: 1/2" = 1'-0"



14 FRAMING TOP VIEW
 TD10 Scale: 1/2" = 1'-0"

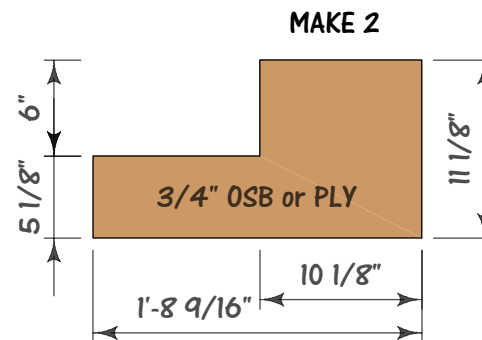
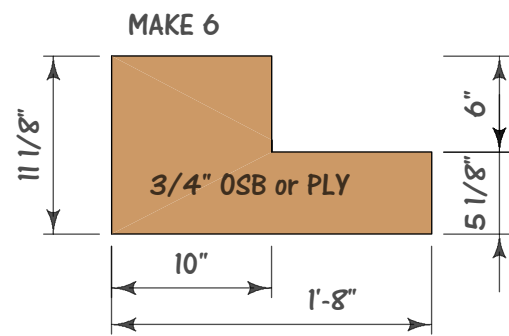
Plate #:	TD10
Designer:	RON NAVERSON
Director:	SUSAN P-BENSON
Technical Director:	TOM FAGERHOLM
Craftsman:	TOM FAGERHOLM
Date:	3/31/16
Scale:	1/2"=1'-0"



15 FRAMING TOP VIEW
TD11 Scale: 1" = 1'-0"

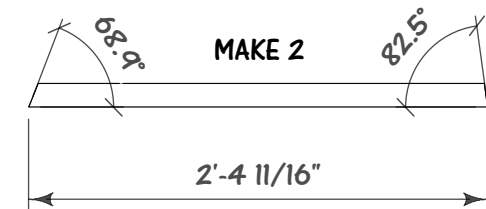
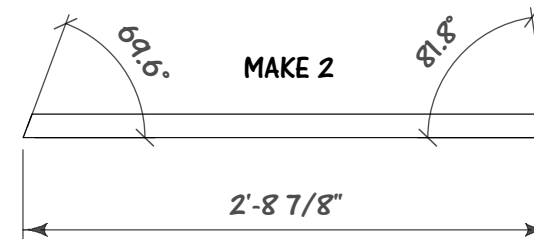
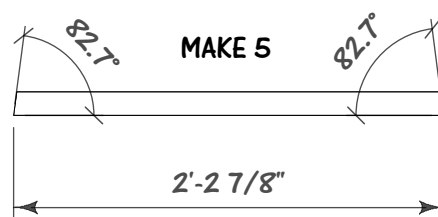
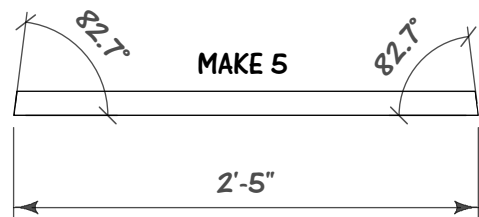
TARTUFFE
CURVED PLATFORM FRAMING AND LEGS

Plate #:	TD11
Designer:	RON NAVERSON
Director:	SUSAN P-BENSON
Technical Director:	TOM FAGERHOLM
Draftsman:	TOM FAGERHOLM
Date:	3/31/16
Scale:	1/2"=1'-0"



1 INSIDE STRINGER
TD12 Scale: 1" = 1'-0"

2 OUTSIDE STRINGER
TD12 Scale: 1" = 1'-0"

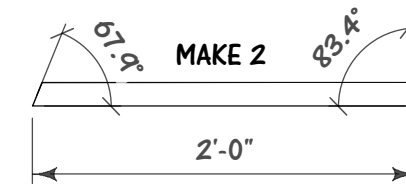
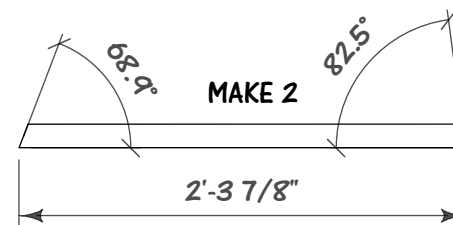
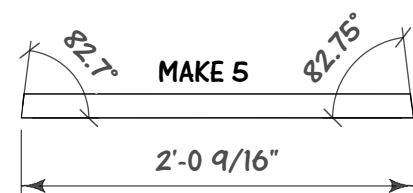
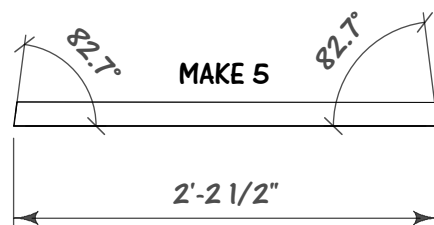


3 STEP 1 INNER FRAMING - A
TD12 Scale: 1" = 1'-0"

4 STEP 1 INNER FRAMING - B
TD12 Scale: 1" = 1'-0"

5 STEP 1 OUTER FRAMING - A
TD12 Scale: 1" = 1'-0"

6 STEP 1 OUTER FRAMING - B
TD12 Scale: 1" = 1'-0"

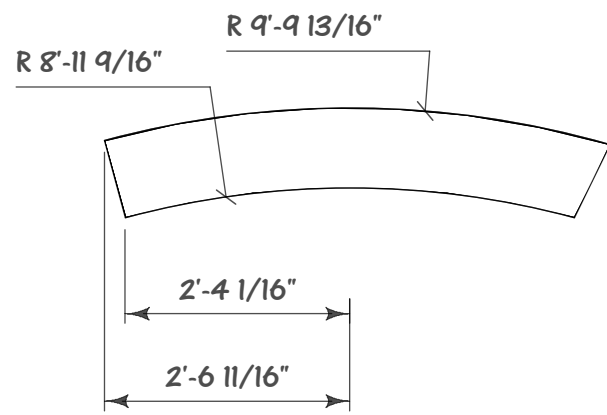


7 STEP 2 INNER FRAMING - A
TD12 Scale: 1" = 1'-0"

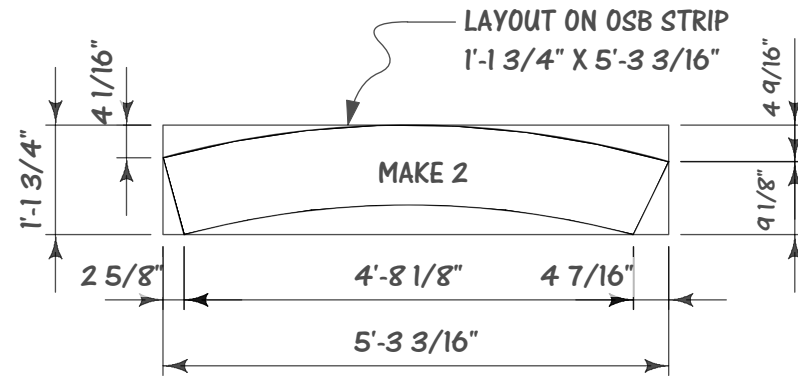
8 STEP 2 INNER FRAMING - B
TD12 Scale: 1" = 1'-0"

9 STEP 2 OUTER FRAMING - A
TD12 Scale: 1" = 1'-0"

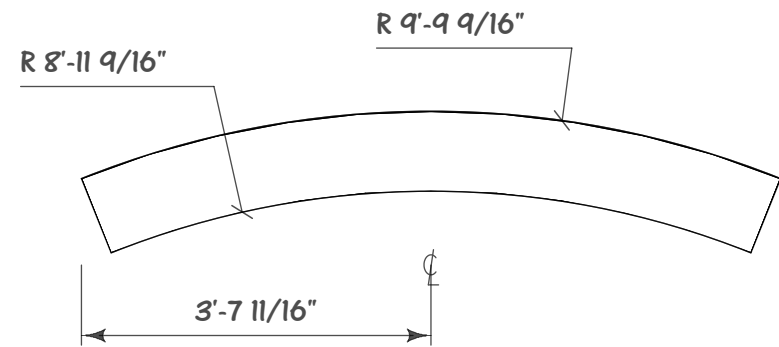
10 STEP 2 OUTER FRAMING - B
TD12 Scale: 1" = 1'-0"



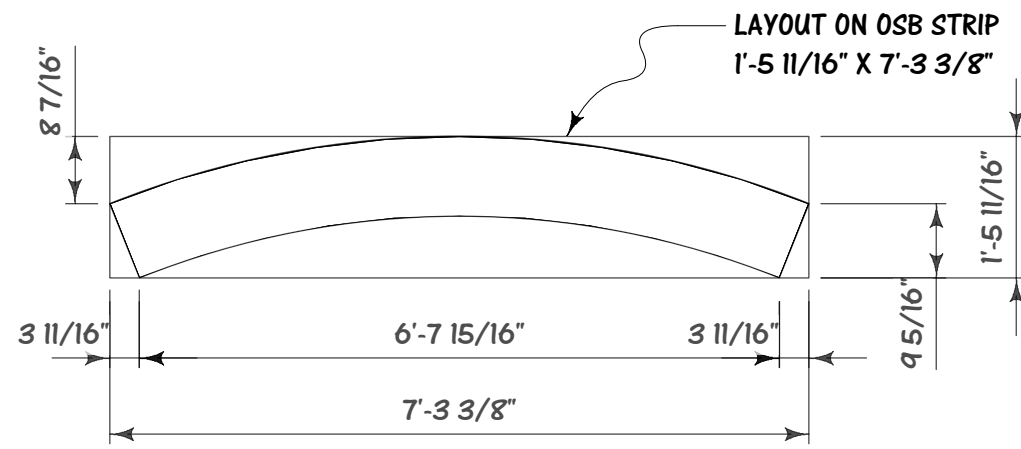
1 STEP 1 OUTER RADII
TDI3 Scale: 1/2" = 1'-0"



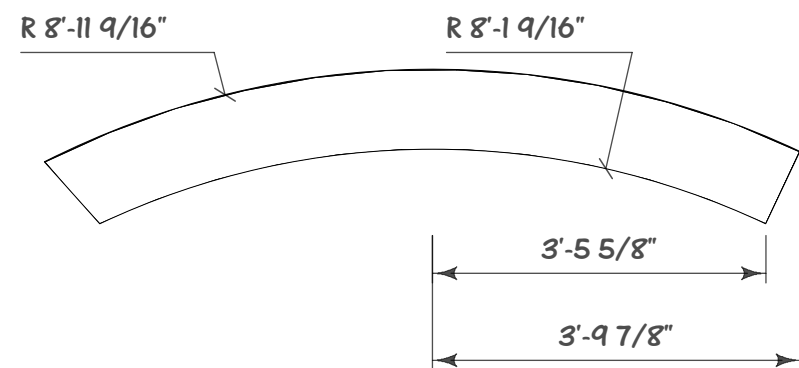
2 STEP 1 LAYOUT
TDI3 Scale: 1/2" = 1'-0"



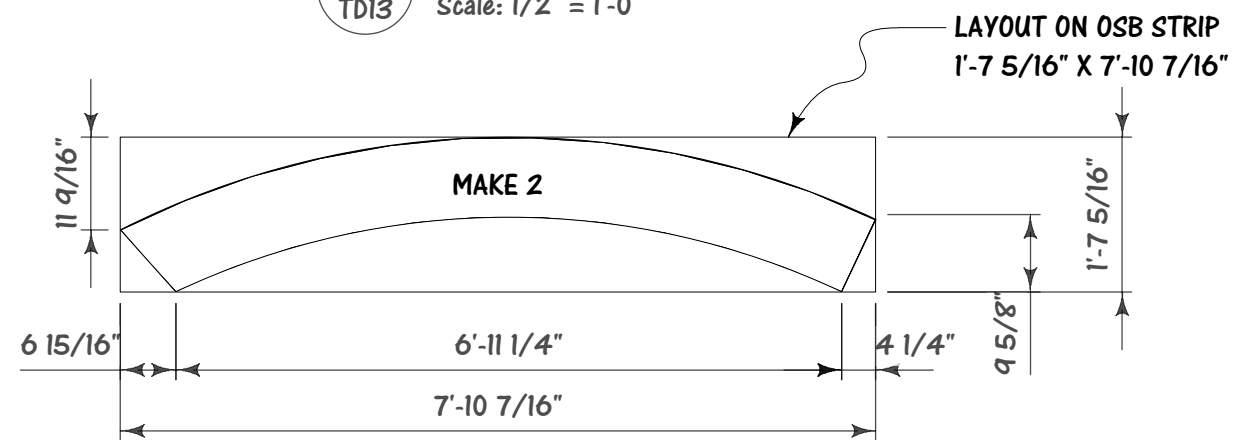
3 STEP 1 CENTER RADII
TDI3 Scale: 1/2" = 1'-0"



4 STEP 1 CENTER LAYOUT
TDI3 Scale: 1/2" = 1'-0"

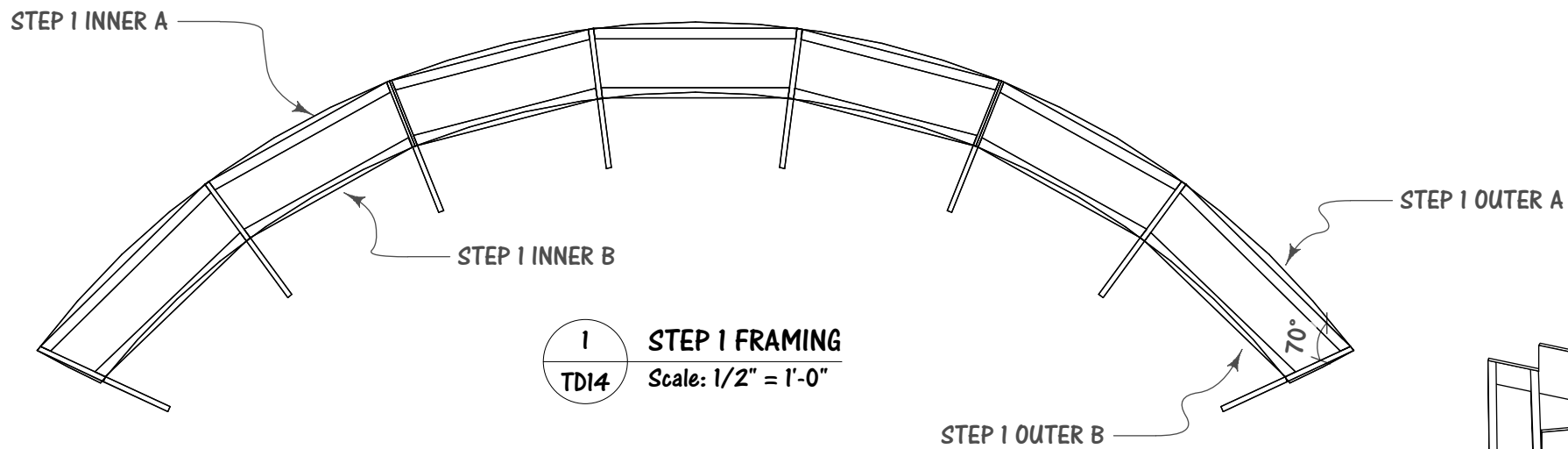


5 STEP 2 RADII
TDI3 Scale: 1/2" = 1'-0"

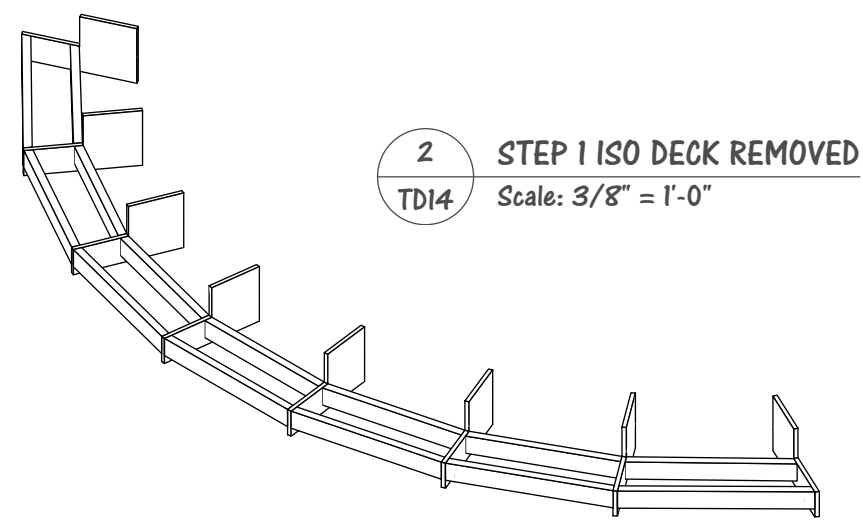


6 STEP 2 LAYOUT
TDI3 Scale: 1/2" = 1'-0"

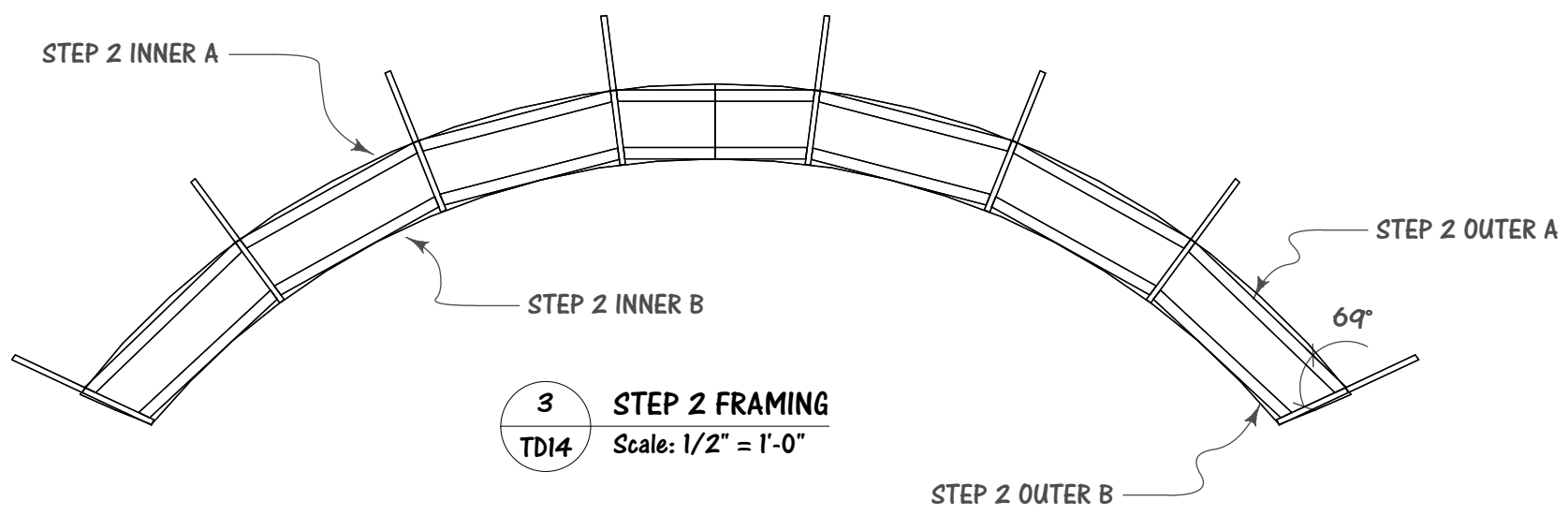
Plate #:	TDI3
Designer:	TOM NAVERSON
Director:	SUSAN P-BENSON
Technical Director:	TOM FAGERHOLM
Craftsman:	TOM FAGERHOLM
Date:	4/5/16
Scale:	1/2"=1'-0"



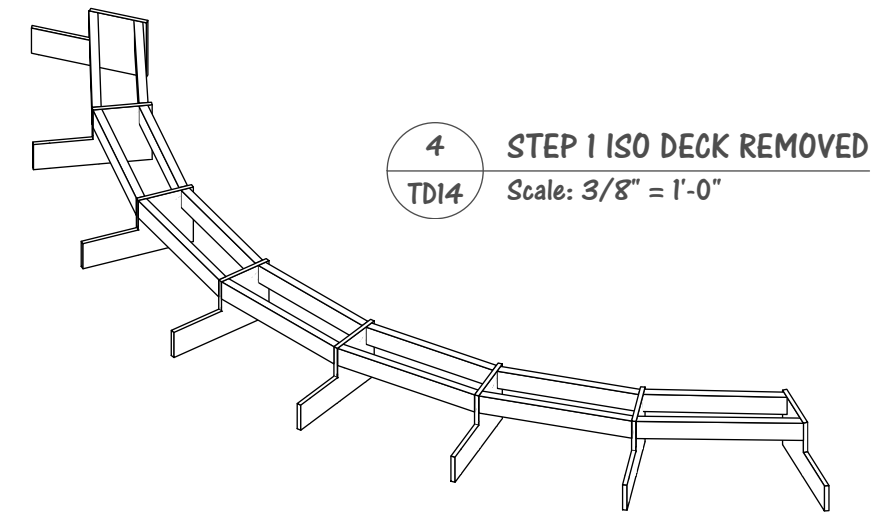
1 STEP 1 FRAMING
TD14 Scale: 1/2" = 1'-0"



2 STEP 1 ISO DECK REMOVED
TD14 Scale: 3/8" = 1'-0"



3 STEP 2 FRAMING
TD14 Scale: 1/2" = 1'-0"



4 STEP 1 ISO DECK REMOVED
TD14 Scale: 3/8" = 1'-0"

TARTUFFE
CURVED STEPS FRAMING

Plate #:	TD14
Designer:	RON NAVERSON
Director:	SUSAN P-BENSON
Technical Director:	TOM FAGERHOLM
Craftsman:	TOM FAGERHOLM
Date:	4/5/16
Scale:	VARIOUS